



Shandong Jinjie Machinery Co.,Ltd

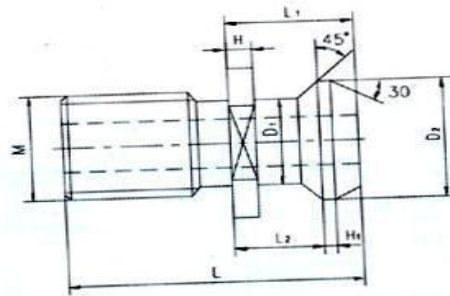
Addr: 253000, #438, North Hubin Road, Tianqu Industrial Park, Dezhou, Shandong, China

Tel: +86-534-2356966 Fax: +86-534-2356966

Email: sales@jinjie-machinery.com; sophie@jinjie-machinery.com

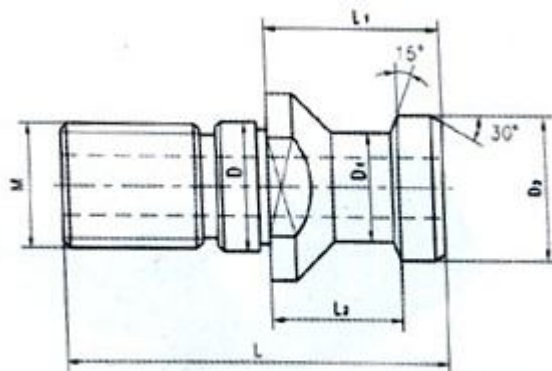
Pull Stud Series

1. JJ-00402 ANSI/ASME B5.50-1985 Retention Knob



Model	D1	D2	M	L	L1	L2	H	H1
LDA-30	9.78	13.21	1/2-13	27.94	11.68	8.13	2.54	1.01
LDA-40	12.45	18.8	5/8-11	38.1	16.26	11.18	3.05	1.52
LDA-45	15.37	23.88	3/4-10	45.72	20.83	14.73	4.06	2.03
LDA-50	20.83	28.96	1-8	58.42	25.4	17.78	5.08	2.54

2. JJ-00406 DIN69872-1988 Pull Stud



Model	D	D1	D2	M	L	L1	L2
SK-30A(B)	13	9	13	M12	44	24	19
SK-40A(B)	17	14	19	M16	54	26	20
SK-45A(B)	21	17	23	M20	65	30	23
SK-50A(B)	25	21	28	M24	74	34	25



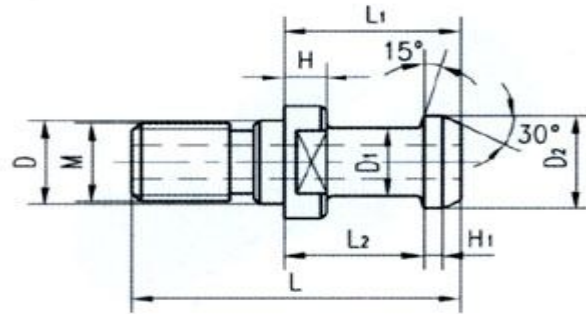
Shandong Jinjie Machinery Co.,Ltd

Addr: 253000, #438, North Hubin Road, Tianqu Industrial Park, Dezhou, Shandong, China

Tel: +86-534-2356966 Fax: +86-534-2356966

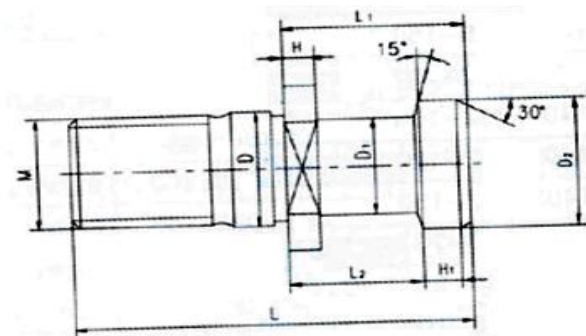
Email: sales@jinjie-machinery.com; sophie@jinjie-machinery.com

3. JJ-00409 JIS B6339-1986 Pull Stud



Model	D	D1	D2	M	L	L1	L2	H	H1
LDJ-30P	12.5	8	12	M12	43	23.4	18.4	5	3
LDJ-35P	12.5	11	15	M12	44	24	19	5	3
LDJ-40P	17	14	19	M16	54	29	23	7	3
LDJ-45P	20	17	23	M20	60	30	23	7	4
LDJ-50P	25	21	28	M24	74	34	25	7	5
LDJ-55P	31	27	36	M30	99	48	38	11	7

4. JJ-00404 ISO/DIN7388/2-1984A Pull Stud



Model	D	D1	D2	M	L	L1	L2	H	H1
DIN7388-30A	13	8	12	M12	44	24	19	4	3
DIN7388-40A	17	14	19	M16	54	26	20	4	4
DIN7388-45A	21	17	23	M20	65	30	23	5	5
DIN7388-50A	25	21	28	M24	74	34	25	6	7



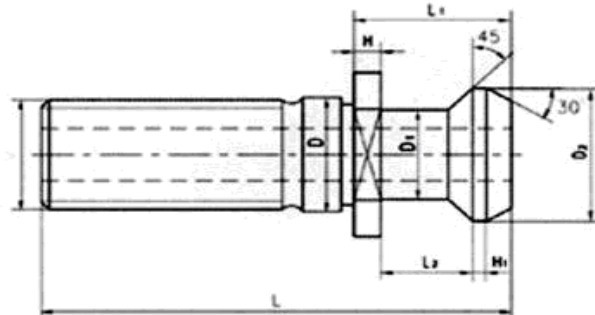
Shandong Jinjie Machinery Co.,Ltd

Addr: 253000, #438, North Hubin Road, Tianqu Industrial Park, Dezhou, Shandong, China

Tel: +86-534-2356966 Fax: +86-534-2356966

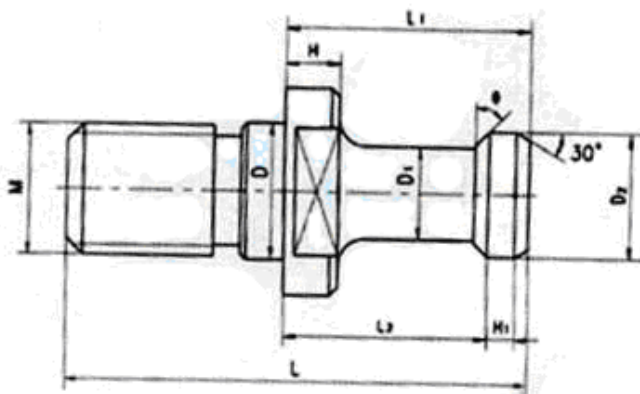
Email: sales@jinjie-machinery.com; sophie@jinjie-machinery.com

5. JJ-00410 ISO/DIN7388/2-1984B Pull Stud



Model	D	D1	D2	M	L	L1	L2	H	H1
DIN7388-30B	13	9.3	13.3	M12	27	11.8	8.1	2.7	1.2
DIN7388-40B	17	12.95	18.95	M16	44.5	16.4	11.15	3.25	1.75
DIN7388-45B	21	16.3	24.05	M20	56	20.95	14.85	4.25	2.25
DIN7388-50B	25	19.6	29.1	M24	65.5	25.55	17.95	5.25	2.75

6. JJ-00408 MAS403-1982 Retention Knob



Model	D	D1	D2	M	L	L1	L2	H	H1	Φ	
BT-30	12.5	7	11	M12	43	23	18	5	2.5	30o	45o
BT-40	17	10	15	M16	60	35	28	6	3		
BT-45	21	14	19	M20	70	40	31	8	4		
BT-50	25	17	23	M24	85	45	35	10	5		